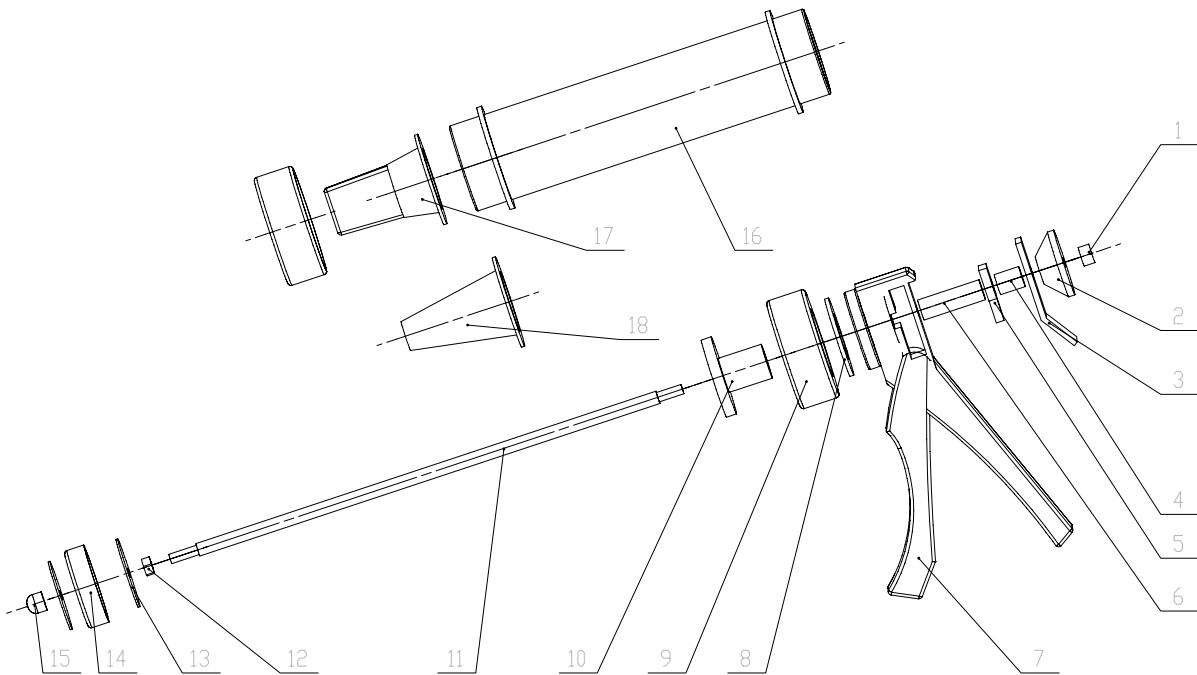


Diagram for Plastic Jerky Shooter



Parts List for Plastic Jerky Shooter

NO.	Description	Quantity (pcs)	NO.	Description	Quantity (pcs)
1	Screw	1	10	Knob of lid	1
2	Handle plate	1	11	Rod	1
3	Small spring washer	1	12	Nut GB/T6170 M6	1
4	Small spring washer	1	13	Washer	2
5	Big spring washer	1	14	Piston	1
6	Big spring	1	15	Screw GB/T 923 M6	1
7	Trigger	1	16	Barrel	1
8	Plastic washer	1	17	Flat nozzle	1
9	Hand screw	2	18	Round nozzle	1