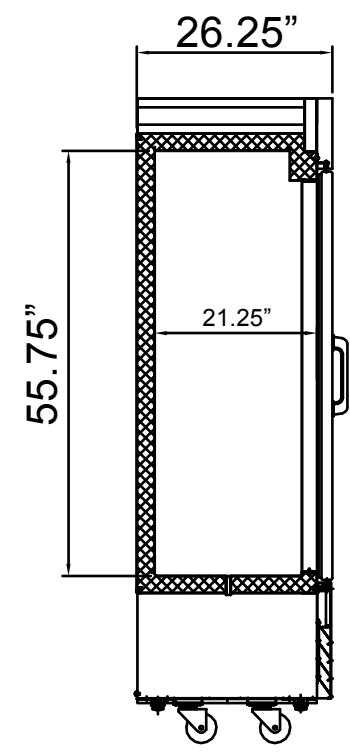
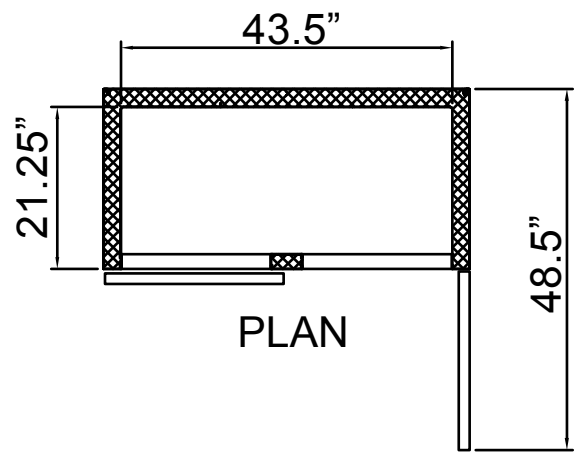


ELEVATION



SECTION VIEW



PLAN

D768BM2F